



## Schiitsicle Under Desk Mount

If you've got Schiit to mount, now is the time to gather it all up, because we're about to get to work! This document will show you how to mount your Magni, Modi, or similarly footprinted Schiit hardware into the *Schiitsicle* mount.

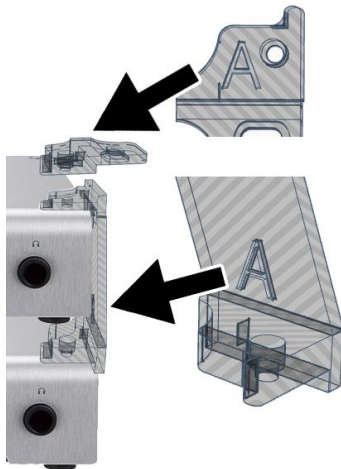
### Step 1: Affix to Schiit Hardware



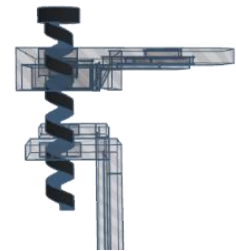
For each site (Marked "A" and "B" to designate which top mount mates to which side mount), you will need to remove the factory machine screws using a Phillips-head screwdriver. Remove only one side at a time as to not disrupt case alignment.

Next, install the appropriate each mounting bracket onto the respective side using the provided machine screws.

### Step 2: Affix top mount



*Your device ships with Hanger Mounts (under-desk mount), Cap Mounts (on-desk mount), or both. This step is the same for both.*



Slide your second device between the top of the first device and the tabs on the side mount.

The machine screws go through the top mount, then through the tab of the side mount, and finally into the Schiit hardware

**NOTE:** Match "A" side mount with "A" top mount to ensure correct fitment.

### Step 3: Affix assembly to desk (*Optional*)



If your mount comes with hanger tabs, you can now mount it to the underside of your desk using the provided wood screws.

These screws will be mounted from the bottom of the mount into the underside of a wooden desk. Please use the applicable holes in the mounting tabs.